

## GAF-25H Aluminium Frame Sliding Door System

Door Width	Max. 1600 mm ※ <sup>1</sup>
Door Height	Max. 3000 mm ※ <sup>1</sup>
Door Size (W/o Intermediate Supports)	Less Than Width 900 × Height 2200 mm ※ <sup>1</sup>
Glass Thickness	5, 6 mm
Door Weight	Max. 70 kg/Door (Including Aluminium Frame Weight)
Aluminium Frame	Size: 40 × 40 mm Groove Width : 8, 10 mm

※<sup>1</sup> Do not exceed the values given above.



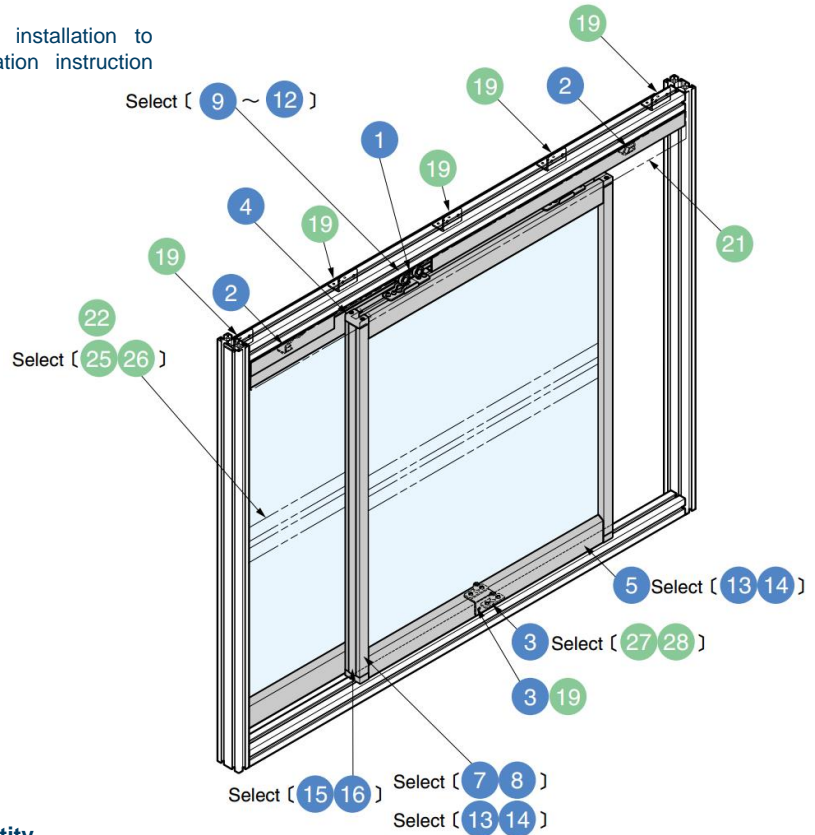
Door opened

### Features

- Strong upper rail and roller provides smooth opening and closing of (up to) 70 kg doors
- Suitable for making large doors which is only possible with GAF-25
- Obliquely cut vertical and horizontal frames and intermediate supports avoid dust accumulation
- User may freely select the material of panels used inside the aluminium frame (such as tempered glass, laminated glass and resin plates, etc.)
- Handles (optional) are available. For installation to aluminium frame, refer to the installation instruction supplied with the product.

### Notes

- When door width exceeds 900 mm or door height exceeds 2200 mm, recommended to install intermediate support 22. Refer to "Necessary Intermediate Support Quantity" section for adding intermediate support details
- Doors are not supplied, frame parts are available
- Recommended to use upper stopper 2 and door stopper
- For upper rail with 3 or more members, use a combination of upper rail (single) and upper rail (double)
- Use GAS nuts for installing to aluminium frame
- Aluminium frame of cabinet is not included

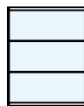


### Necessary Intermediate Support Quantity

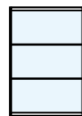
- For glass thickness 5mm and door weight 70kg



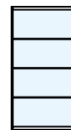
No Need Any Support  
(Less than W900×H2200)



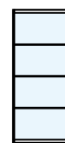
2 Supports  
(Less than W1600×H2000)



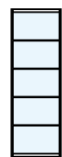
2 Supports  
(Less than W1500×H2200)



3 Supports  
(Less than W1300×H2500)

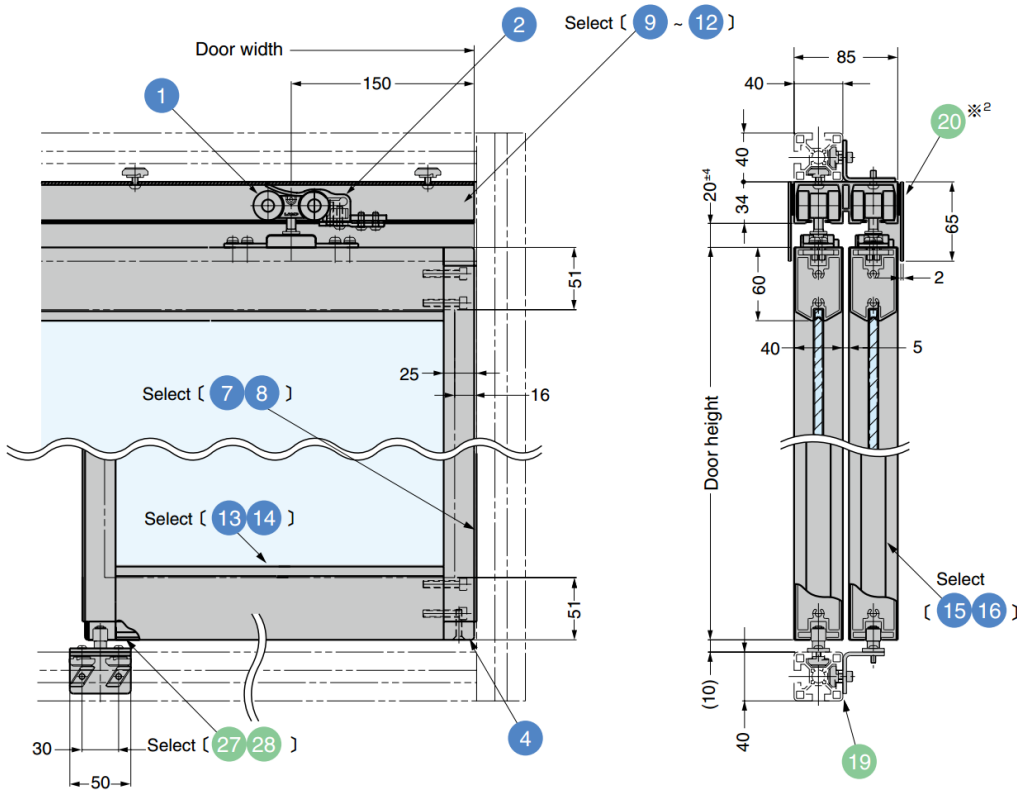
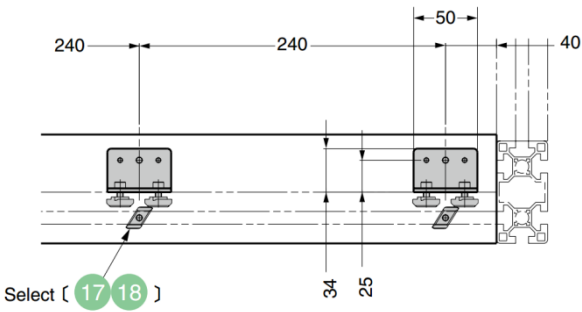


3 Supports  
(Less than W1200×H2700)

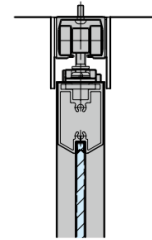


4 Supports  
(Less than W1100×H3000)

### Installation

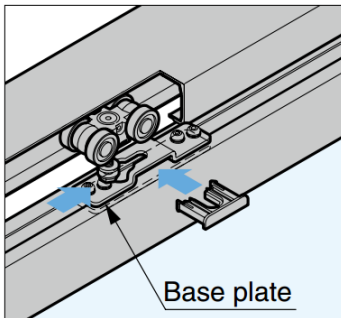


[In Case of One Door]

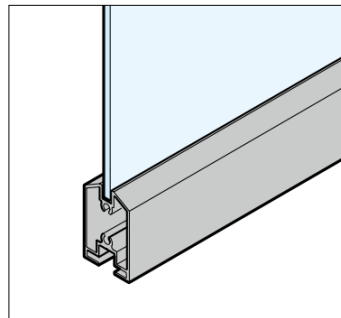


Dimensions when installed to existing aluminium frame shown. For sheet metal installation, contact Gripwell for further assistance

※<sup>2</sup> Fix with detachable hook-and-loop fastener.



● Upper roller making it easy to detach/attach door



● Horizontal frame hardly gathering dust

### Roller, Stopper, Guide, Corner Parts, Horizontal Frame

### Necessary Parts.

Please specify necessary qty of 5 horizontal frames based on door width.

No.	Part No.	Dimensions
1	<b>GAF-25C-WR</b>	<p>Upper Roller</p> <p>● Material PA / Steel ● Finish White/Coloured Zinc Chromate</p> <p>[Qty for 1 Door] 2 pcs</p>
2	<b>GFD70-ST</b>	<p>Upper Stopper</p> <p>● Material PBT / Steel ● Finish White/Coloured Zinc Chromate</p> <p>[Qty for 1 Door] 2 pcs</p>
3	<b>GRR-12</b>	<p>Bottom Guide</p> <p>● Material Stainless Steel (SUS304)/POM ● Finish Plain / Natural</p> <p>[Qty for 1 Door] 1 pc ※2 mounting screws supplied</p>

No.	Part No.	Dimensions
4	<b>GAF-25-P04</b>	<p>Corner Parts</p> <p>● Material Zinc Alloy (ZDC) ● Finish Dull Chrome</p> <p>[Qty for 1 Door] 4 pcs</p>
5	<b>GAF-25-W02</b>	<p>Horizontal Frame (2000 mm)</p> <p>● Material Aluminium Alloy ● Finish Matte Anodised Silver</p> <p>Weight : 1.4 kg/1000 mm</p>
6	<b>GAF-25-HS</b>	<p>Screw Set</p> <p>● Material Stainless Steel ● Finish Plain</p> <p>Hexagon Socket Head Cap Screw M6 x 30: 8 pcs Hexagon Socket Head Cap Screw M4 x 30: 6 pcs Hexagon Socket Countersunk Head Screw M4 x 25: 8 pcs</p> <p>※Screws for 3 intermediate supports supplied</p>

### Vertical Frame, Upper Rail, Glass Gasket, Cover

### Necessary Parts.

Please specify necessary qty based on opening width and door size.

No.	Type	Part No.	Dimensions
7	Length 2500 mm	<b>GAF-25-W01-2.5M</b>	<p>Vertical Frame</p>
8	Length 3000 mm	<b>GAF-25-W01-3M</b>	
<p>● Material Aluminium Alloy ● Finish Matte Anodised Silver</p>			
9	Single Length 2000 mm	<b>GFD70-2000SIL</b>	<p>Upper Rail</p>
10	Single Length 3600 mm	<b>GFD70-3600SIL</b>	
<p>● Material Aluminium Alloy ● Finish Matte Anodised Silver</p>			

No.	Type	Part No.	Dimensions
11	Double Length 2000 mm	<b>GFD70-W2000SIL</b>	<p>Upper Rail</p>
12	Double Length 3600 mm	<b>GFD70-W3600SIL</b>	
<p>● Material Aluminium Alloy ● Finish Matte Anodised Silver</p>			
13	Glass Thickness 5mm Length 2500mm	<b>GAF-25-P02</b>	<p>Glass Gasket</p>
14	Glass Thickness 6mm Length 3000mm	<b>GAF-25-P15</b>	
<p>● Material Elastomer (TPE) ● Colour Light Grey</p>			
15	Length 2500 mm	<b>GAF-25-P01-25</b>	<p>Cover</p>
16	Length 3000 mm	<b>GAF-25-P01-30</b>	
<p>● Material Elastomer (TPE) ● Colour Light Grey</p>			

## Optional Parts

Please order according to application.

No.	Part Name	Part No.	Dimensions
17	AS Nut (Aluminium Frame Groove Width 8 mm)	<b>GAS-8M4</b>	
18	AS Nut (Aluminium Frame Groove Width 10 mm)	<b>GAS-10M4</b>	
<p>[Application] For installing rail to existing aluminium frame. AS nuts and M4 screws for rail mounting holes are required.</p> <ul style="list-style-type: none"> <li>Material Stainless Steel (SUS316)</li> <li>Finish Barrel Polished</li> </ul>			
19		<b>GAS-AF-25H-A</b> <i>(made to order)</i>	<p>Bracket for AS</p> <p>[Application] For installing upper rail (double).</p> <ul style="list-style-type: none"> <li>Material Stainless Steel (SUS304)</li> <li>Finish Barrel Polished</li> </ul>
20	AS Cover Panel (2000 mm)	<b>GAS-AF-25H-B</b> <i>(made to order)</i>	
21	Cover Panel (4000 mm)	<b>GAF-25-FB</b>	<p>※Adhere on upper rail with hook-and-loop fastener.</p>
<p>[Application] For installing upper rail (double).</p> <ul style="list-style-type: none"> <li>Material Aluminium Alloy</li> <li>Finish Anodised</li> </ul>			
22		<b>GAF-25-W03</b>	<p>Intermediate Support (2000 mm)</p> <p>Weight: 0.6 kg/1000 mm</p>

No.	Part Name	Part No.	Dimensions
23		<b>GRR-12L</b>	<p>Interlocking Bottom Guide</p> <p>For 3 doors only</p> <ul style="list-style-type: none"> <li>Material Stainless Steel (SUS304) / POM</li> <li>Finish Barrel Polished</li> </ul>
24		<b>GMN799Z160E101</b>	<p>Handle</p> <p>※ Connect by drilling 2 holes of φ7 on the vertical frames 7⑥.</p> <ul style="list-style-type: none"> <li>Material Zinc Alloy (ZDC)</li> <li>Colour Matte Silver</li> </ul>
25	Gasket (Glass Thickness 5 mm 2500 mm)	<b>GAF-25-P03</b>	
26	Gasket (Glass Thickness 6 mm 2500 mm)	<b>GAF-25-P16</b>	
<p>[Application] Please order when using intermediate support 22.</p> <ul style="list-style-type: none"> <li>Material Elastomer (TPE)</li> <li>Colour Light Grey</li> </ul>			
27	Bottom Guide Rail (3000 mm)	<b>G1050-3M</b>	
28	Bottom Guide Rail (4000 mm)	<b>G1050-4M</b>	
<p>[Application] Please order when using intermediate support 22.</p> <ul style="list-style-type: none"> <li>Material Aluminium Alloy</li> <li>Finish Anodised Silver</li> </ul>			